



1675, Saint-Elzear West blvd.
Laval, Quebec, Canada H7L 3N6
T: 450.978.9805 SF: 1.888.422.7151

UNIVERSAL OCTOPAQUE® WITH HEAD IMMOBILIZER®



USER INSTRUCTIONS

BY MEANS OF INTRODUCTION

The UNIVERSAL OCTOPAQUE® pediatric immobilization solutions (PA-05, PA-06, PA-07, PA-08 and PA-09) are high quality apparatus engineered and built to obtain the best possible comfort of infants and young patients undergoing x-rays, arteriography or exams made with SCANNER or Magnetic Resonance Imaging (MRI). You can find all the detailed specifications about these products on the OCTOSOP Web site at the address <https://octostop.com/en/product/universal-octopaque/>

The UNIVERSAL OCTOPAQUE® products are made with a carefully selected and verified radio-transparent wooden board. On one octagon, stable positions every 45°, on the support(s), ISOCENTRIC rotation and stability in all positions. The UNIVERSAL OCTOPAQUE® pediatric immobilization products come with standard adapted foam head cushions, Velcro® straps and Velcro® blankets for fast and effective immobilization.

The UNIVERSAL OCTOPAQUE® pediatric immobilization solutions (PA-05, PA-06, PA-07, PA-08 and PA-09) can also be used with the new Head Immobilizer® products (CO-04 and CO-05) as appropriate. The CO-04 Head Immobilizer® (small size) is to be used with the PA-05, PA-06 UNIVERSAL OCTOPAQUE® that come with a standard board while the CO-05 Head Immobilizer® (large size) is to be used with the PA-07 UNIVERSAL OCTOPAQUE® that comes with a wide board.

The Head Immobilizers® (CO-04 and CO-05) are reinforced and covered with a gray leatherlike material. They are quite suitable for medical exams performed with a SCANNER (tomodensitometry) as well as with Magnetic Resonance Imaging equipment.

IMPORTANT NOTICE : The Head Immobilizer® products (CO-04 and CO-05) are not compatible with plain radiographs of the head, more specifically, the skull, the sinuses, the lower maxilla and the cavum.

You will find hereafter the instructions to be followed for the use of the UNIVERSAL OCTOPAQUE® pediatric immobilization solutions (PA-05, PA-06, PA-07, PA-08 and PA-09) with the Head Immobilizer® products (CO-04 and CO-05).

INSTRUCTIONS

Step 1 - Assembling the UNIVERSAL OCTOPAQUE®

- ★ Aluminum bolts, washers, lock nuts and blue plastic bars are included or mounting.
- ★ For each bolt, one washer is placed on top of the blue plastic bar as shown on diagram; another one is placed under the plastic seating of the octagon; then the locknut is screwed tightly. File any rough surface created on the head of the bolts. Refer to Image #1 - Assembling the UNIVERSAL OCTOPAQUE®
- ★ Locate the two Velcro® bands integrated under the board, that will be used in conjunction with the other Velcro® straps and blanket to secure the body of the infant as well as the Head Immobilizer®

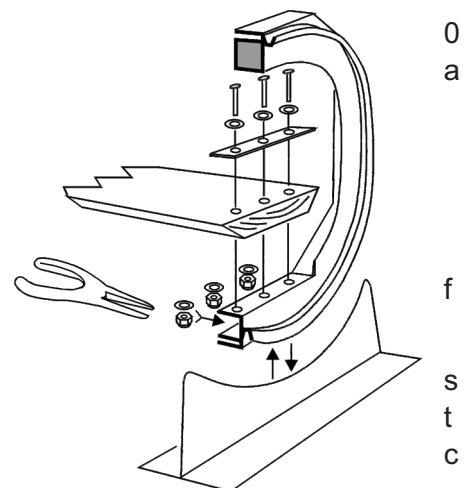


Image #1 - Assembling the UNIVERSAL OCTOPAQUE

USER INSTRUCTIONS

Step 2 - Ready the UNIVERSAL OCTOPAQUE[®] and the Head immobilizer[®] for the patient

- ★ Place the UNIVERSAL OCTOPAQUE[®] on the examination table
- ★ Position the Head immobilizer[®] unit on the UNIVERSAL OCTOPAQUE[®] radio-transparent board and position it so that it is within the limits indicated on the board. **Please refer to Image 2 - Getting ready for the patient**
- ★ Slide the Velcro[®] blanket under the board, position it perpendicular to the board as illustrated at the level where the body of the patient will be located. Affix it tightly to the board by joining the Velcro[®] surfaces
- ★ Slide the white Velcro[®] strap under the board at the level of Head immobilizer[®]. Position it so that the cushion surface intended to have contact with the patient forehead is facing up. Affix tightly the end of the Velcro[®] strap to the Velcro[®] surface under the board.

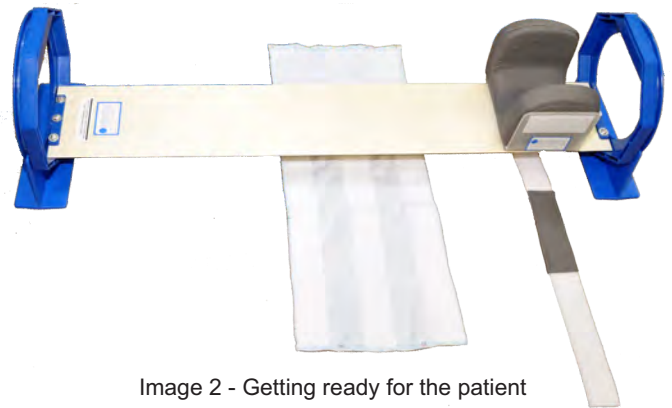


Image 2 - Getting ready for the patient

Step 3 - Preparing the patient

For hygiene purposes, OCTOSTOP recommends the use of disposable nurses caps to cover the patient's head.

- ★ Gently place the infant on the UNIVERSAL OCTOPAQUE[®] board
- ★ Apply a slight pressure to extend the sides of the Head Immobilizer[®] and softly lay the infant's head into the immobilizer ensuring that his ears are correctly positioned
- ★ Once the infant is resting comfortably on the UNIVERSAL OCTOPAQUE[®], wrap firmly his body to the board using the Velcro[®] blanket.
- ★ Ensure that the infant's body is securely immobilized on the board before proceeding further (**Refer to Image 3a - Immobilizing the infant's body**)
- ★ Using the white Velcro[®] strap provided with the Head immobilizer[®], secure the infant's head in the Head immobilizer[®] as well as the Head Immobilizer[®] to the



Image 3a - Immobilizing the infant's body



Image 3b - Securing the Head Immobilizer to the board

Immo

WARNING

Must be used only by qualified personnel, according to appropriate procedures, and under the responsibility of a physician. Babies and infants must always remain under direct surveillance. Patients should not be put in any position that could compromise their safety. **Magnetic Resonance** signals must be acquired beyond the lines indicated on the board (across from the octagon). OCTOSTOP[®] Inc. and its personnel do not assume any liability regarding the use, indications, consequences, or any situation directly or indirectly associated to its products.

Designed and manufactured in our installations in Canada, our compensating filters and pediatric immobilization solutions are patented and registered trademarks. Don't settle for second to best quality, buy genuine OCTOSTOP products.

OCTOSTOP[®] HOLDS AN ESTABLISHMENT LICENCE FROM HEALTH CANADA



OCTOSTOP

1675, Saint-Elzear West blvd.
Laval, Quebec, Canada H7L 3N6
T: 450.978.9805 SF: 1.888.422.7151

UNIVERSAL OCTOPAQUE® WITH HEAD IMMOBILISER®

CAUTIONS (English version)

GENERAL

- ★ The Universal Octopaque® and the Minipaque® units and their techniques must be used under the responsibility of a radiologist or other physician. In case of doubt, para-medical personnel must seek advice. OCTOSTOP® INC. assumes no direct or indirect responsibility in the use of its products.
- ★ Our literature is only a guide for the better use of the OCTOSTOP® System. It must be adapted to each situation and to local usage.

TECHNICAL

- ★ Never leave a baby alone and unattended, even when immobilized on an apparatus.
- ★ Avoid compressing the upper respiratory tract, by always passing straps and bandages behind the neck, never in front, or too close on the chin or shoulders.
- ★ The upright position is possible, but hold the board manually and carefully, or with the vertical support, and be sure that the baby does not slip down, or becomes distressed.
- ★ Attach all blankets and straps completely: they are radiolucent, but they may show as a slight artifact if bent or projected "on end".
- ★ Fine line grid cassettes are excellent: they permit a fast exposure (approximately 1/120th of a

**IN MAGNETIC RESONANCE
USE 2 cm BEYOND OCTAGON**

second); the lines are invisible providing the focal / grid distance and the perpendicularity are respected.

- ★ The sides of the board are fragile: do not hit them. Bare wood may absorb some opaque substances. Repair it immediately if needed by sanding and varnishing.
- ★ Prevent contaminations. Disinfect with alcohol or Zephiran®.
- ★ Do not (over-) tighten a traumatized skull, to prevent complications.
- ★ The patient should not be placed in any position that could compromise its safety.

RADIOLOGICAL AND MEDICAL

- ★ The interpretation of an image and the result of a treatment or technique are the sole responsibility of the professionals in attendance.
- ★ A slight posterior angulation of C2 on C3 on the lateral cervical view, and a slight buckling of the trachea posteriorly and to the right are normal, since the head is immobilized with a slight flexion.
- ★ Normal pre-cervical soft tissues often bulge markedly.
- ★ Wood veins may show on oblique views; if an artifact is suspected, please obtain films with and without the board and its accessories.

OCTOSTOP® HOLDS AN ESTABLISHMENT LICENCE FROM HEALTH CANADA

